

Nice

Garage doors



The most complete and innovative range to automate garage doors.



Nice

Home Automation

Excellent reasons to choose Nice.
Simple and practical solutions
for any of automation.





Outdoor

For Swing Gates

Road Barriers

For Lighting Systems
and For Irrigation Systems

A comprehensive range and compatible systems.

Nice offers a comprehensive range of products: a wide range of systems and products for the automation of gates, garages, shutters, barriers, awnings, shutters and now also alarm systems. All products are compatible with one another and easily integrated with existing systems.

Design

Today, Nice products are exhibited in design and applied art museums, and were presented with an awards at the XIX Compasso d'Oro, the most important international event in the design field.



Increasingly innovative.

The NRC systems and Nice Solemyo make installation of all automations both simple and economic, in new and restored buildings alike.

Opera and BlueBUS simplify the installation, the programming and use of each automation.



Solemyo

Solemyo is the kit for solar power for the automation of gates, garage doors and barrier gates.

Installable anywhere without the need for connections or excavations, even in the most remote locations or those difficult to access with the power mains.

Increased savings and respect for the environment thanks to solar energy, free and clean: an ecological and intelligent choice with short term benefits.



NRC

The NRC systems (Nice Radio Connection),

avoiding the cost effort of building work or the installation of unsightly ducting for routing control cables make the installation of any automation much simpler and economical, in new buildings, and all renovated constructions.



Opera

Opera marks the future of the automation.

The innovative system Nice Opera makes the work for the installer easier thanks to the remote control of any automation system via PC and PDA, while customers can manage home automation via Bluetooth, GSM or GPRS.



BlueBUS

Easy and quick installations, just two wires without polarity!

With Nice's revolutionary BlueBUS system far fewer connections are required, which means incredible time savings: just two wires, which carry both the communication signals and the power supply! With BlueBUS you don't need to observe any polarity, therefore any related risk factor is eliminated.



SYKCE

The kit contains the photovoltaic panel **SYP** that converts sunlight into electricity and the battery box **PSY24** storing the electrical energy produced by the panel, with continuous and permanent supply throughout the day.



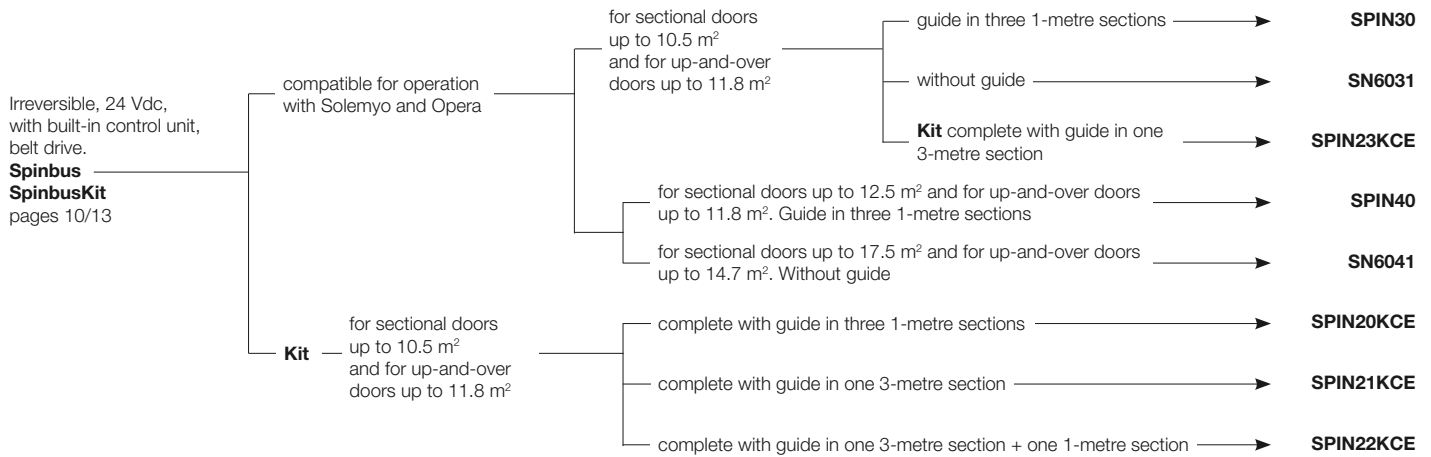
Systems for swing gates



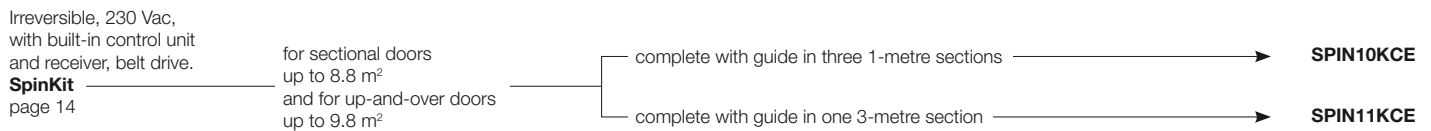
Nice Selection guide

Follow the arrow and choose the right product

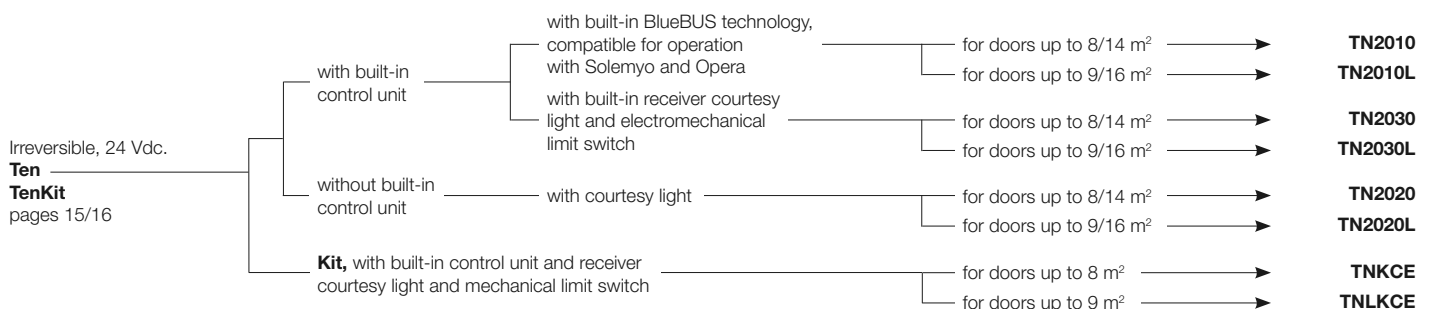
For sectional and up-and-over doors, built-in BlueBUS technology, also available in kit



For sectional and up-and-over doors, in kit



For up-and-over and articulated doors, also available in kit



For sectional doors, in industrial and commercial use

Irreversible with built-in control unit
24 Vdc motor, with absolute encoder
and incorporated BlueBUS technology.
Compatible for operation
with Solemyo and Opera.

Soon → for doors up to 20 m² → **SO2000**
page 17

For sectional and sliding 2-leaf doors for industrial and commercial use

Irreversible, 24 Vdc motor,
with magnetic encoder,
with no need for limit switch
adjustment.

Sumo →
page 18

- IP44 →
 - low speed, up to 35 m² → **SU2000**
 - high speed, up to 25 m² → **SU2000V**
 - super high speed, up to 15 m² → **SU2000VV**
- IP54,
up to 35 m² → **SU2010**

For folding 2-leaf doors

Irreversible
with telescopic arm.

Hyppo →
page 19

- 230 Vac with limit switch on opening and closing → **HY7100**
- 24 Vdc version with magnetic encoder.
Compatible with control units with BlueBUS
technology, Solemyo and Opera → **HY7124**

For balanced rolling doors

230 Vac,
with electromechanical
limit switch.

Rondo →
page 20

- reversible, without brake →
 - with lifting force up to 130 kg → **RN2010**
 - with lifting force up to 180 kg → **RN2020**
- irreversible, with brake
and release device →
 - with lifting force up to 130 kg → **RN2030**
 - with lifting force up to 180 kg → **RN2040**



For sectional doors up to 12.5 m² and up-and-over garage doors up to 11.8 m² with Nice BlueBUS technology.
 230 Vac irreversible electromechanical gear motor, for residential use, with belt drive, 24 Vdc motor, with magnetic encoder.
Complete version of the guide in 3x1 m sections.

Compatible for operation with Solemyo and Opera systems.

Rapid installation - anywhere!
 The adjustable head, cord-type release and cable-controlled, step-by-step release can be fitted in any part of the garage in order to actuate the system without a remote control device and without the need to install wall-mounted control units!

Guaranteed savings and respect for the environment:
 with the connection to the mains in standby mode the control unit with radio connected consumes just 0.8 W (SPIN30) and 1.2 W (SPIN40); when connected to a battery or to the Solemyo kit, consumption in standby mode is reduced to 0.036 W.

User-friendly thanks to the BlueBUS system:
 which enables connection by means of just two wires between the control unit and pair of photocells.

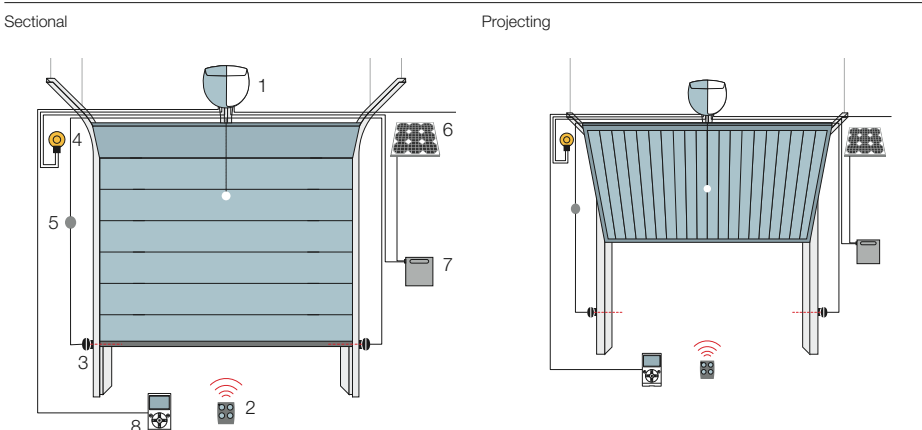
Safe: obstacle detection system and automatic programming of the working times; motor absorption is monitored during movement, self-diagnosis by means of a flashing light and courtesy light. Acceleration and deceleration can be adjusted at the beginning and end of each opening and closing manoeuvre. Can be connected with last generation sensitive edges 8.2 KOhm.

Luminous: 40 W lamp E27 that can be used as garage lightening.

Technical specifications

Code	SPIN30	SPIN40
Electrical data		
Power supply (Vac 50 Hz)	230	
Absorption (A)	1.3	1.4
Power (W)	350	370
Built-in capacitor (µF)	-	
Performance data		
Speed (m/s)	0.20	
Force (N)	800	1000
Work cycle (cycles/day)	50	
Dimensional and general data		
Protection level (IP)	40	
Working temp. (°C Min/Max)	-20 ÷ +50	
Dimensions (mm)	311x327x105 h	
Weight (kg)	3.6	4.7

Installation diagram



1. Spinbus 2. Transmitter 3. Photocells 4. Flashing light 5. Digital or key switches 6. SYP* solar panel 7. PSY24* battery box 8. O-View* multifunction display. *Optional connection to Solemyo and Opera systems.

Utilisation limits

Using the maximum travel

	Non-projecting up-and-over door		Projecting up-and-over door		Sectional	
	H	L	H	L	H	L
SPIN30	2.2 m	4.2 m	2.8 m	4.2 m	2.4 m	4.4 m
SPIN40	2.2 m	4.2 m	2.8 m	4.2 m	2.4 m	5.2 m



For sectional doors up to 17.5 m² and up-and-over garage doors up to 14.7 m² with Nice BlueBUS technology.

230 Vac irreversible electromechanical gear motor, for residential use, with belt drive, 24 Vdc motor, with magnetic encoder. To use with the SNA30 - SNA6 guides.

Compatible for operation with Solemyo and Opera systems.

Rapid installation - anywhere!

The adjustable head, cord-type release and cable-controlled, step-by-step release can be fitted in any part of the garage in order to actuate the system without a remote control device and without the need to install wall-mounted control units!

Guaranteed savings and respect for the environment:

when connected to the mains on standby the control unit with radio connected consumes just 0.8 W (SN6031) and 1.2 W (SN6041); when connected to a battery or to the Solemyo kit, consumption in standby mode is reduced to 0.036 W.

User-friendly thanks to the BlueBUS system:

which enables connection by means of just two wires between the control unit and pair of photocells.

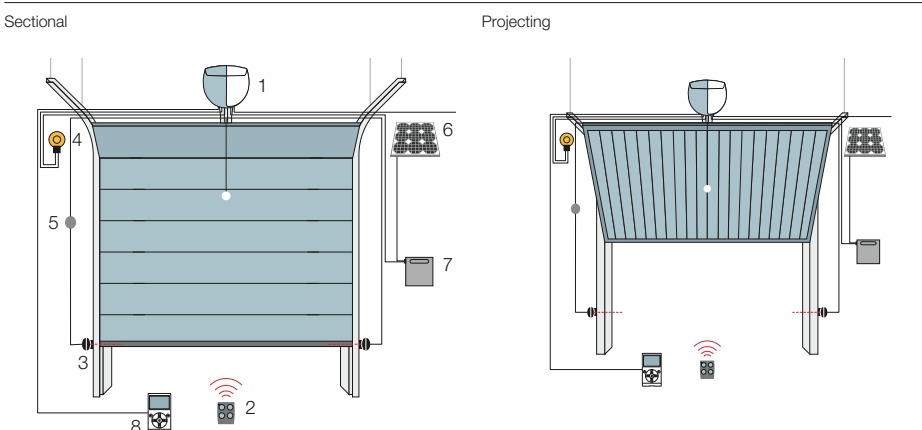
Safe: obstacle detection system and automatic programming of the working times; motor absorption is monitored during movement, self-diagnosis by means of a flashing light and courtesy light. Acceleration and deceleration can be adjusted at the beginning and end of each opening and closing manoeuvre. Can be connected with last generation sensitive edges 8.2 KOhm.

Luminous: 40 W lamp E27 that can be used as garage lightening.

Technical specifications

Code	SN6031	SN6041
Electrical data		
Power supply (Vac 50 Hz)	230	
Absorption (A)	1.3	1.4
Power (W)	350	370
Built-in capacitor (µF)	-	
Performance data		
Speed (m/s)	0.20	
Force (N)	800	1000
Work cycle (cycles/day)	50	
Dimensional and general data		
Protection level (IP)	40	
Working temp. (°C Min/Max)	-20 ÷ +50	
Dimensions (mm)	311x327x105 h	
Weight (kg)	3.6	4.7

Installation diagram



1. Spinbus 2. Transmitter 3. Photocells 4. Flashing light 5. Digital or key switches 6. SYP* solar panel 7. PSY24* battery box 8. O-View* multifunction display. *Optional connection to Solemyo and Opera systems.

Utilisation limits

Using the maximum travel

	Non-projecting up-and-over door		Projecting up-and-over door		Sectional	
	H	L	H	L	H	L
SN6031 with SNA30	2.2 m	4.2 m	2.8 m	4.2 m	2.4 m	5 m
SN6041 with SNA30	2.2 m	4.2 m	2.8 m	4.2 m	2.4 m	5.2 m
SN6031 with SNA6	3.2 m	2.9 m	3.5 m	3.4 m	3.4 m	3.5 m
SN6041 with SNA6	3.2 m	4.2 m	3.5 m	4.2 m	3.4 m	5.2 m

SN6021 1 gear motor with built-in control unit and SMXI plug-in receiver.		FLO2R-S 1 transmitter 433.92 MHz, 2 channels.	
			
SPIN20KCE Guide (thickness 35 mm) in three 1-metre sections.	SPIN21KCE Guide (thickness 35 mm) in one 3-metre section.	SPIN22KCE Guide (thickness 35 mm) in one 3-metre section. + one 1-metre section.	
 <p>3 x 1 m</p>	 <p>1 x 3 m</p>	 <p>1 x 3 m 1 x 1 m</p>	

For sectional doors up to 10.5 m² and up-and-over garage doors up to 11.8 m², with Nice BlueBUS technology. Pre-mounted guide in three 1-metre sections SPIN20KCE, with pre-mounted guide of 3 m SPIN21KCE or pre-mounted guide of 4 m (3+1 m) SPIN22KCE.

Rapid installation - anywhere!

The adjustable head, cord-type release and cable-controlled, step-by-step release can be fitted in any part of the garage in order to actuate the system without a remote control device and without the need to install wall-mounted control units!

User-friendly thanks to the BlueBUS system:

which enables connection by means of just two wires between the control unit and pair of photocells.

Safe: obstacle detection system and automatic programming of the working times; motor absorption is monitored during movement, self-diagnosis by means of a flashing light and courtesy light. Acceleration and deceleration can be adjusted at the beginning and end of each opening and closing manoeuvre.

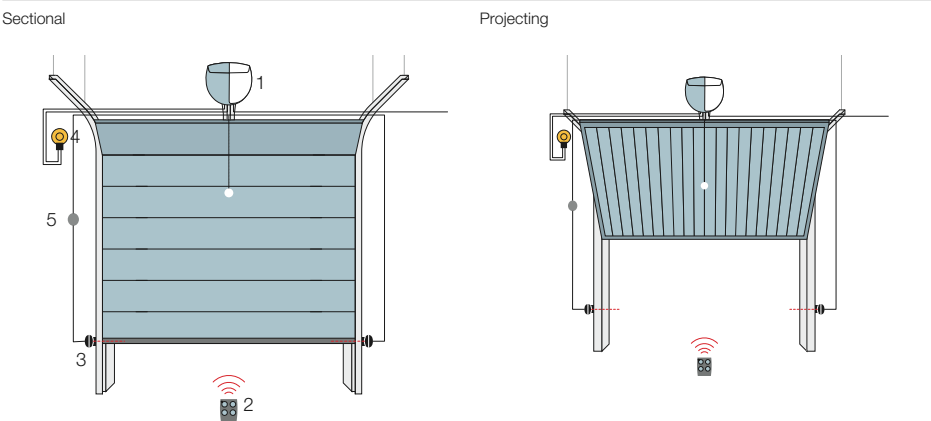
Can be connected with last generation sensitive edges 8.2 KOhm.

Luminous: 21 W lamp.

Technical specifications

Code	SN6021
Electrical data	
Power supply (Vac 50 Hz)	230
Absorption (A)	0.8
Power (W)	250
Built-in capacitor (µF)	-
Performance data	
Speed (m/s)	0.20
Force (N)	650
Work cycle (cycles/day)	50
Dimensional and general data	
Protection level (IP)	40
Working temp. (°C Min/Max)	-20 ÷ +50
Dimensions (mm)	311x327x105 h
Weight (kg)	3.6

Installation diagram



1. Spinbus 2. Transmitter 3. Photocells 4. Flashing light 5. Digital or key switches.

Utilisation limits

Using the maximum travel

	Non-projecting up-and-over door		Projecting up-and-over door		Sectional	
	H	L	H	L	H	L
SPIN20KCE	2.2 m	4.2 m	2.8 m	4.2 m	2.4 m	4.4 m
SPIN21KCE	2.2 m	4.2 m	2.8 m	4.2 m	2.4 m	4.4 m
SPIN22KCE	3.2 m	2.9 m	3.5 m	3.4 m	3.4 m	3.1 m



For sectional doors up to 10.5 m² and up-and-over garage doors up to 11.8 m², with Nice BlueBUS technology. With pre-mounted 3-metre guide.

Compatible for operation with Solemyo and Opera systems.

Rapid installation - anywhere!

The adjustable head, cord-type release and cable-controlled, step-by-step release can be fitted in any part of the garage in order to actuate the system without a remote control device and without the need to install wall-mounted control units!

Guaranteed savings and respect for the environment:

with connection to the mains in standby mode the control unit with radio connected consumes just 4.2 W; when connected to a battery or to the Solemyo kit, consumption on standby is reduced to 0.036 W.

Safe: obstacle detection system and automatic programming of the working times; motor absorption is monitored during movement, self-diagnosis by means of a flashing light and courtesy light.

Acceleration and deceleration can be adjusted at the beginning and end of each opening and closing manoeuvre.

Can be connected with last generation sensitive edges 8.2 KOhm.

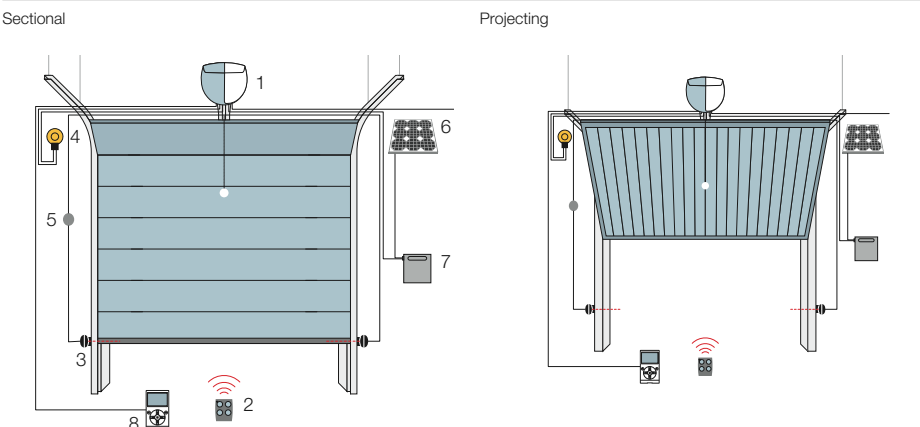
Luminous: 21 W lamp.

No black out: operation in the event of a power failure with optional batteries (PS124) housed inside the motor.

Technical specifications

Code	SN6021
Electrical data	
Power supply (Vac 50 Hz)	230
Absorption (A)	0.8
Power (W)	250
Built-in capacitor (µF)	-
Performance data	
Speed (m/s)	0.20
Force (N)	650
Work cycle (cycles/day)	50
Dimensional and general data	
Protection level (IP)	40
Working temp. (°C Min/Max)	-20 ÷ +50
Dimensions (mm)	311x327x105 h
Weight (kg)	3.6

Installation diagram



1. Spinbus 2. Transmitter 3. Photocells 4. Flashing light 5. Digital or key switches 6. SYP* solar panel 7. PSY24* battery box 8. O-View* multifunction display. *Optional connection to Solemyo and Opera systems.

Utilisation limits

Using the maximum travel

	Non-projecting up-and-over door		Projecting up-and-over door		Sectional	
	H	L	H	L	H	L
SPIN23KCE	2.2 m	4.2 m	2.8 m	4.2 m	2.4 m	4.4 m

SN6011

1 gear motor SN6011 with incorporated control unit and plug-in receiver.



FLO2R-S

1 transmitter 433.92 MHz, 2 channels.



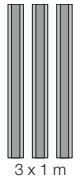
For sectional doors up to 8.8 m² and up-and-over garage doors up to 9.8 m², belt drive.
Pre-assembled, 3x1 m sections guide (SPIN10KCE) or pre-assembled 3 m guide (SPIN11KCE).

Advanced: incorporated radio card, compatible with the Nice Flo, FloR and Smilo systems: 150 transmitters can be entered! Input for photocells and possibility of connecting photo-test with self-learning function during installation.

Safe: obstacle detection system and automatic programming of the working times; motor absorption is monitored during movement, self-diagnosis by means of a flashing light and courtesy light. Acceleration and deceleration can be adjusted at the beginning and end of each opening and closing manoeuvre. Can be connected with last generation sensitive edges 8.2 KOhm.

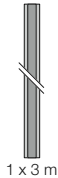
SPIN10KCE

Guide (thickness 35 mm) in three 1-metre sections.



SPIN11KCE

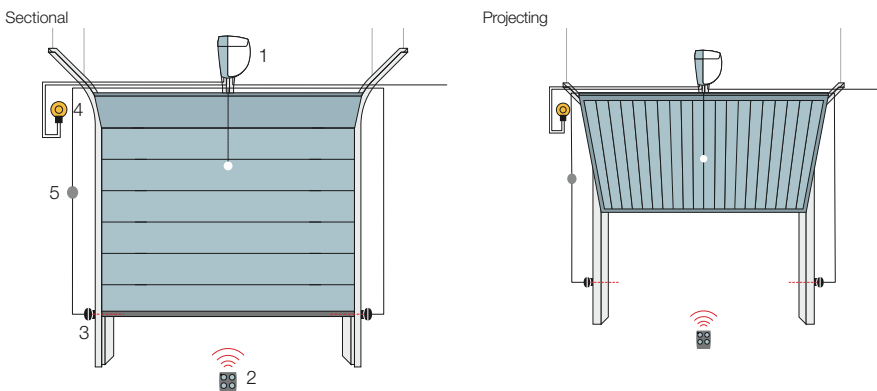
Guide (thickness 35 mm) in one 3-metre section.



Technical specifications

Code	SN6011
Electrical data	
Power supply (Vac 50 Hz)	230
Absorption (A)	0.7
Power (W)	200
Built-in capacitor (µF)	-
Performance data	
Speed (m/s)	0.14
Force (N)	550
Work cycle (cycles/day)	30
Dimensional and general data	
Protection level (IP)	40
Working temp. (°C Min/Max)	-20 ÷ +50
Dimensions (mm)	225x330x100 h
Weight (kg)	3.3

Installation diagram



1. Spin 2. Transmitter 3. Photocells 4. Flashing light 5. Digital or key switches.

Utilisation limits

Using the maximum travel

	Non-projecting up-and-over door		Projecting up-and-over door		Sectional	
	H	L	H	L	H	L
SPIN10KCE	2.2 m	3.5 m	2.8 m	3.5 m	2.4 m	3.7 m
SPIN11KCE	2.2 m	3.5 m	2.8 m	3.5 m	2.4 m	3.7 m



For projecting and non projecting up-and-over doors up to 9 m² (up to 16 m² using 2 motors), and jointed doors.

24 Vdc electromechanical gear motor with BlueBUS connection technology (TN2010 and TN2010L).

Compatible for operation with Solemyo and Opera systems (TN2010 and TN2010L).

Three versions, standard and upgraded: with incorporated control unit, force regulator and absolute encoder (TN2010 and TN2010L); with incorporated control unit and receiver, electromechanical limit switch (TN2030 and TN2030L); without control unit (TN2020 and TN2020L).

Advanced: the absolute encoder technology guarantees precision without the need of a limit switch, reliability and the long term safeguard of the set values (TN2010 and TN2010L).

Simple: thanks to the BlueBUS technology which enables connection by means of just two wires between the control unit and photocells (TN2010 and TN2010L).

Energy saving: the system enters in stand-by when not in use (TN2010 and TN2010L).

Practical: the control unit and PS324 buffer battery (optional) can be connected by means of a simple connector and can be housed directly inside the motor (TN2010 and TN2010L).

Reliable and precise: memorisation of the opening and closing limit switch positions; gradual starting and slowdown during closing.

Safe: obstacle detection system and monitoring of the motor absorption during movement, self-diagnosis by means of a flashing light, courtesy light. The latest generation optical and resistive 8.2 KOhm sensitive edges can also be connected.

Functional: possibility of connecting two motors, TN2010 or TN2030 with TN2020, for doors up to 14 m²; TN2010L or TN2030L with TN2020L, for doors up to 16 m².

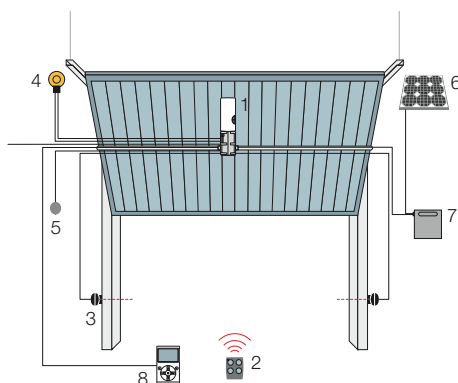
Technical specifications

Code	TN2010	TN2010L	TN2010 + TN2020	TN2010L + TN2020L	TN2030	TN2030L	TN2030 + TN2020	TN2030L + TN2020L
Electrical data								
Power supply (Vac 50 Hz)	230							
Absorption (A)	1		1.4		1		1.4	
Power (W)	240		350		220		330	
Built-in capacitor (µF)	-							
Performance data								
Speed (Rpm)	1.7	1.4	1.7	1.4	1.7	1.4	1.7	1.4
Torque (Nm)	350	600	500	750	320	420		700
Work cycle (cycles/hour)	15		25		20		10	
Dimensional and general data								
Protection level (IP)	44							
Working temp. (°C Min/Max)	-20 ÷ +50							
Dimensions (mm)	150x158x512 h							
Weight (kg)	10		17.2*		9.5		16.7*	

* 7.2 for TN2020/TN2020L

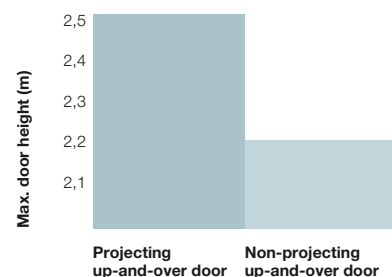
Installation diagram

Projecting



1. Ten
 2. Transmitter
 3. Photocells
 4. Flashing light
 5. Digital or key switches
 6. SYP* solar panel
 7. PSY24* battery box
 8. O-View* multifunction display.
- *Optional connection to Solemyo and Opera systems.

Utilisation limits



N.B. The values indicated above refer to the use of motors with standard accessories.

TNKCE / TNLKCE



FLO2R-S

TS



The kit contains:

TNKCE / TNLKCE 1 irreversible electromechanical gear motor, with incorporated control unit and plug-in receiver, courtesy light and electromechanical limit switch, complete with a pair of standard telescopic arms TNA5 and with relative driving devices TNA38. **FLO2R-S** 1 transmitter 433.92 MHz 2 channels. **TS** 1 signboard.

For projecting and non projecting up-and-over doors up to 9 m² and jointed doors.

Irreversible electromechanical 24 Vdc gear motor.

Available in 2 versions:

standard with torque at 280 Nm (TNKCE) and upgraded with torque at 420 Nm (TNLKCE).

Functions: standard input for photocells and possibility of connecting phototest function in self-learning mode during installation.

Convenient: built-in radio board compatible with the systems NiceWay, Flor, VeryVR, Flo, VeryVE and Smilo: possibility of entering up to 150 transmitters. Push-button programming and automatic position search.

Adjustments: 3 force levels, 2 speeds, 3 pause time levels, 3 step-by-step modes.

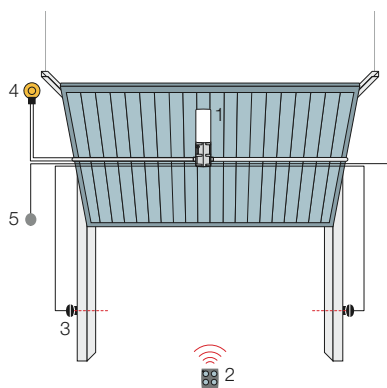
Maximum safety: provision for connection of latest generation 8.2 KOhm sensitive edges. Obstacle detection and automatic programming of work times, monitoring of motor absorption throughout travel, self-diagnostics via the flashing light and courtesy light. Acceleration and deceleration at the start and end of each manoeuvre.

Technical specifications

Code	TNKCE	TNLKCE
Electrical data		
Power supply (Vac 50 Hz)		230
Absorption (A)		0.9
Power (W)		200
Built-in capacitor (µF)		-
Performance data		
Speed (Rpm)	1.7	1.4
Torque (Nm)	280	420
Work cycle (cycles/hour)		15
Dimensional and general data		
Protection level (IP)		44
Working temp. (°C Min/Max)		-20 ÷ +50
Dimensions (mm)		150x158x512 h
Weight (kg)		15.5

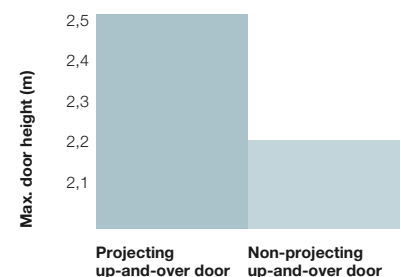
Installation diagram

Projecting



1. Ten
2. Transmitter
3. Photocells
4. Flashing light
5. Digital or key switches.

Utilisation limits



N.B. The values indicated above refer to the use of motors with standard accessories.



Protective flap complete with courtesy light (21 W). Users can connect and programme the control unit, modify its functions and change the lamp without having to disassemble the casing

New release system with 4 m long cord

For sectional doors* up to 20 m².
24 Vdc electromechanical gear motor with Nice BlueBUS technology and with absolute encoder.

*For sectional doors equipped with anti-crash safeguard system (safety device useful in case of spring breaking).

Compatible for operation with Solemyo and Opera systems.

Easy to install: Soon can be fitted directly onto the shaft of a sectional door; compact, particularly in width, in order to make assembly easy in any position.

User-friendly thanks to the BlueBUS system that enables users to connect the photocell couples and control unit using just two wires.

Practical: the control unit and PS124 buffer battery (optional) can be connected by means of a simple connector and can be housed directly inside the motor.

Energy saving: when the system is not being used it will switch over to standby.

Reliable and precise: memorization of limit switch positions on opening and closing; gradual starting and slowdown during closing; the absolute encoder technology guarantees precision without the need of a limit switch, reliability and long term safeguard of the set values.

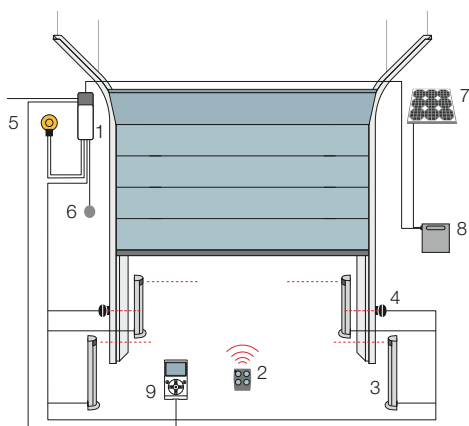
Safe: obstacle detection system; motor absorption is monitored during movement, self-diagnosis by means of a flashing light and courtesy light. Last generation of 8.2 KOhm optical and sensitive edges can also be connected.

Technical specifications

Code	SO2000
Electrical data	
Power supply (Vac 50 Hz)	230
Absorption (A)	1.6
Power (W)	350
Built-in capacitor (µF)	-
Performance data	
Speed (Rpm)	30
Torque (Nm)	50
Work cycle (cycles/hour)	15
Dimensional and general data	
Protection level (IP)	40
Working temp. (°C Min/Max)	-20 ÷ +50
Dimensions (mm)	115x300x375 h
Weight (kg)	10.5

Installation diagram

Sectional



1. Soon
 2. Transmitter
 3. Photocells mounted on posts
 4. Photocells
 5. Flashing light
 6. Digital or key switches
 7. SYP* solar panel
 8. PSY24* battery box
 9. O-View* multifunction display.
- *Optional connection to Solemyo and Opera systems.



For sectional doors and two-wings sliding doors up to 35 m².

24 Vdc electromechanical gear motor with magnetic encoder, no need to adjust limit switches. Perfect for intensive use. Four versions.

Revolutionary aesthetics: compact, particularly in width, in order to make assembly easy in any position; quick to install.

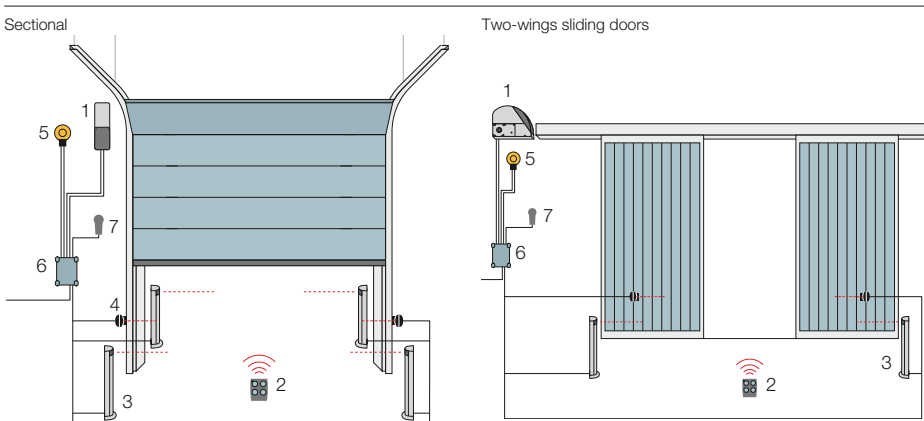
Easy to install: Sumo can be fitted directly onto the shaft of sectional doors. Perfect for Ø 25.4 mm shafts and can be used also with Ø 31.75-35-40 mm shafts thanks to the CRA9 adapter.

Many different functions with the separate Mindy A924 control unit: automatic memorization of limit switches on opening and closing; gradual departure and slowdown during closing; integrated battery charge card with optional battery power supply in the event of power failures easy programming by pressing a single button; pause time programming and speed adjustment; "service" warning light for maintenance (can be programmed according to the number of manoeuvre required).

Technical specifications

Code	SU2000	SU2000V	SU2000VV	SU2010
Electrical data				
Power supply (Vac 50 Hz)			24	
Absorption (A)			13	
Power (W)			500	
Built-in capacitor (µF)			-	
Performance data				
Speed (Rpm)	16	23.5	42	16
Torque (Nm)	120	82	46	120
Work cycle (%)			50	
Dimensional and general data				
Protection level (IP)		44		54
Working temp. (°C Min/Max)		-20 ÷ +50		
Dimensions (mm)		110x270x350 h		
Weight (kg)		10.5		

Installation diagram



1. Sumo 2. Transmitter 3. Photocells mounted on posts 4. Photocells 5. Flashing light 6. Control unit 7. Digital or key switches.



For 2-leaf folding doors.

Electromechanical gear motor irreversible with telescopic arm, also in 24 Vdc version, with magnetic encoder.

Single model for right and left leaves.

Pre-wired, **incorporated double limit-switch** both during opening and closing: fewer connections mean quicker installation (for HY7100 only).

Solid metal mechanics.

Sturdy, galvanised, telescopic arm.

Recommended control units:

Mindy A3, A3F, A6, A6F, A60, A700F; for HY7124 Moonclever MC824H.

24 Vdc version with magnetic encoder.

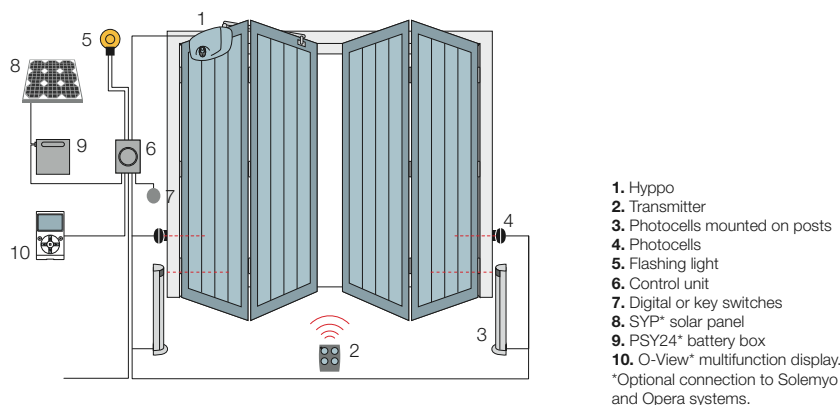
Perfect for intensive use, compatible with the control unit Moonclever MC824H, equipped with BlueBUS, and provision for operation with the systems Solemyo and Opera:

- simple programming, by means of a single key;
- self-learning of opening and closing limit positions;
- automatic fault diagnostics;
- programming of pause time;
- pedestrian pass door;
- deceleration on opening and closing;
- obstacle detection with dual technology;
- operation in event of power failure by means of optional rechargeable batteries (PS324);
- provision for connection of latest generation resistive sensitive edges.

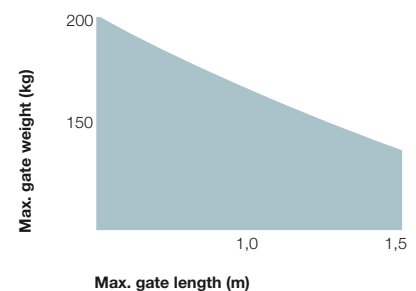
Technical specifications

Code	HY7100	HY7124
Electrical data		
Power supply (Vac 50 Hz)	230	-
Power supply (Vdc)	-	24
Absorption (A)	1.2	5
Power (W)	250	120
Built-in capacitor (µF)	10	-
Performance data		
Speed (Rpm)	1.7	2
Torque (Nm)	400	250
Work cycle (%)	30	80
Dimensional and general data		
Protection level (IP)	20	
Working temp. (°C Min/Max)	-20 ÷ +50	
Dimensions (mm)	350x165x242 h	
Weight (kg)	13	

Installation diagram



Utilisation limits



N.B. The above values are valid if the motor is used with standard accessories.



For balanced rolling doors.

Electromechanical gear motor with lifting force up to 130 kg and 180 kg.

Smart: the limit switch unit and wiring are protected by an elegant box; pre-wired capacitor.

Fast: easy and intuitive adjustment of the limit switches both during opening and closing.

Complete: supplied with 200 mm and 220 mm flange for 60 mm shafts, with 48 mm and 42 mm adaptors.

Easy to install: thanks to the guided connector, you don't need to hold the motor while you secure it using just 3 screws.

Recommended control units:

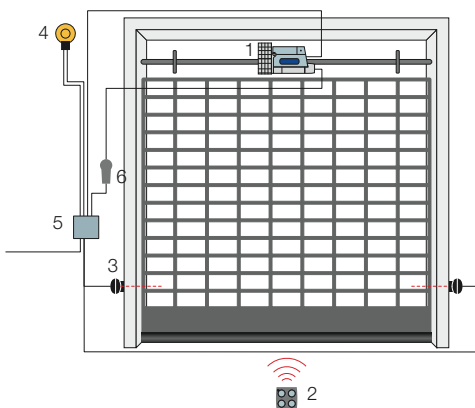
Mindy A01 and A02 - easy to use, complete and reliable, featuring:

- semi-automatic or automatic operation;
- complete reverse run with photocell;
- step-by-step operation;
- programmable Step-by-step/Open input;
- programmable Stop/Photo input;
- input for resistive edge;
- incorporated radio card, compatible with the Nice Flo, FloR and Smilo systems.

Technical specifications

Code	RN2010	RN2030	RN2020	RN2040
Electrical data				
Power supply (Vac 50 Hz)	230			
Absorption (A)	2		2.6	
Power (W)	450		600	
Built-in capacitor (µF)	-			
Performance data				
Speed (Rpm)	8.5			
Torque (Nm)	130		180	
Work cycle max (%)	50% with 30 s ON and 30 s OFF			
Dimensional and general data				
Protection level (IP)	20			
Working temp. (°C Min/Max)	-20 ÷ +50			
Dimensions (mm)	ø 200x338	ø 200x355	ø 200x338	ø 200x385
Weight (kg)	9.5		10	

Installation diagram



1. Rondo
2. Transmitter
3. Photocells
4. Flashing light
5. Control unit
6. Digital or key switches.

Nice To complete your automation:



Accessories for Spinbus

Spinbus

Code	Description	Pc/Pack
SNA3	Spare control unit for SPIN30/SN6031	
SNA4	Spare control unit for SPIN40/SN6041	
PS124	24 V battery with integrated battery charger	1
SPA2	Kit for unlocking from the outside with cable	1
SPA5	Oscillating arm sliding on bearings with optimised structure for projecting up-and-over doors	1
SPA6	Large 585 mm long connecting arm	1
SPA7	Kit of two additional fixing brackets	2
SNA16	Quick-connect brackets for ceiling mounting	10
TMF	Pair of photocells for optical type sensitive edge	1
TS	Signboard	1

SpinbusKit 20/21/22

Code	Description	Pc/Pack
SNA2	Spare control unit for SPIN20KCE, SPIN21KCE and SPIN22KCE	
SPA2	Kit for unlocking from the outside with cable	1
SPA5	Oscillating arm sliding on bearings with optimised structure for projecting up-and-over doors	1
SPA6	Large 585 mm long connecting arm	1
SPA7	Kit of two additional fixing brackets	2
SNA16	Quick-connect brackets for ceiling mounting	10
TS	Signboard	1

SpinbusKit 23

Code	Description	Pc/Pack
SNA20	Spare control unit for SPIN23KCE	
PS124	24 V battery with integrated battery charger	1
SPA2	Kit for unlocking from the outside with cable	1
SPA5	Oscillating arm sliding on bearings with optimised structure for projecting up-and-over doors	1
SPA6	Large 585 mm long connecting arm	1
SPA7	Kit of two additional fixing brackets	2
SNA16	Quick-connect brackets for ceiling mounting	10
TMF	Pair of photocells for optical type sensitive edge	1
TS	Signboard	1



Accessories for SpinKit

Code	Description	Pc/Pack
SNA1	Spare control unit for SPIN10KCE and SPIN11KCE	
SPA2	Kit for unlocking from the outside with cable	1
SPA5	Oscillating arm sliding on bearings with optimised structure for projecting up-and-over doors	1
SPA6	Large 585 mm long connecting arm	1
SPA7	Kit of two additional fixing brackets	2
SNA16	Quick-connect brackets for ceiling mounting	10
TS	Signboard	1

Nice To complete your automation:



Accessories for Ten

Ten		
Code	Description	Pc/Pack
TNA1	Spare control unit for TN2030, TN2030L, TNKCE and TNLKCE	
TNA2	Spare control unit for TN2010 and TN2010L	
PS324	24 V battery with built-in battery charger. Only for TN2010 and TN2010L	1
TNA9	Additional connection cable and supports for wall-mounting of PS324 battery	1
TMF	Pair of photocells for optical type sensitive edge. Only for TN2010 e TN2010L	1
OTA2	Motor support bracket (1250 mm long)	1
OTA3	Motor support bracket (2000 mm long)	1
OTA9	Motor support bracket (520 mm long)	1
TNA5	Pair of standard straight telescopic arms	1
TNA6	Pair of standard curved telescopic arms	1
TNA8	20x20 mm drive shaft (200 mm long)	1
TNA4	20x20 mm drive shaft (1500 mm long)	1
TNA38	Driving device for transmission shafts	1
OTA11	Kit for unlock from the outside with a metal cord	1
OTA12	Kit for external unlocking with key ratchet (cannot be used with laterally installed motors)	1
TS	Signboard	1

TenKit

Code	Description	Pc/Pack
TNA1	Spare control unit for TN2030, TN2030L, TNKCE and TNLKCE	
OTA2	Motor support bracket (1250 mm long)	1
OTA3	Motor support bracket (2000 mm long)	1
OTA9	Motor support bracket (520 mm long)	1
TNA5	Pair of standard straight telescopic arms	1
TNA6	Pair of standard curved telescopic arms	1
TNA8	20x20 mm drive shaft (200 mm long)	1
TNA4	20x20 mm drive shaft (1500 mm long)	1
TNA38	Driving device for transmission shafts	1
OTA11	Kit for unlock from the outside with a metal cord	1
OTA12	Kit for external unlocking with key ratchet (cannot be used with laterally installed motors)	1
TS	Signboard	1

Accessories for Soon



Code	Description	Pc/Pack
SOA2	Spare control unit for SO2000	
PS124	24 V battery with integrated battery charger	1
TMF	Pair of photocells for optical type sensitive edge	1
CRA9	Adapter for diameter 31.75 (1.1/4"), 35 and 40 mm shafts	1
TS	Signboard	1



Accessories for Sumo

Code	Description	Pc/Pack
A924	Control unit	1
PUL	Central cover with buttons, complete with connecting cable and connected for A500 and A924	1
B12-B	12 V, 6 Ah batteries	1
BA3-A	Nice battery box	
KIO	Key-operated selector switch for low voltage contacts, with release mechanism for metal cord	1
KA1	6 m cable release kit for KIO. Not requested for SU2010	1
CRA1	Shaft with 18-tooth pinion Ø shaft 25.4 mm Ø inside crown 25.4 mm	1
CRA2	Joint for chain	1
CRA3	1/2" chain, 1 m pack, plus joint for chain	1
CRA4	1/2" chain, 5 m pack, ideal for single or double wing industrial doors, plus joint for chain	1
CRA5	Tensioner drive with brackets, for single or double wing industrial door	1
CRA6	36-tooth pinion Ø inside 25.4 mm	1
CRA7	18-tooth pinion Ø inside 25.4 mm	1
CRA8	Wall-fixing bracket	2
CRA9	Adapter for diameter 31.75 (1.1/4"), 35 and 40 mm shafts	1
TS	Signboard	1



Accessories for Hyppo 7100

Code	Description	Pc/Pack
HYA11	Unlock from inside with a 6 m cord	1
KIO	Key-operated selector switch for low voltage contacts, with release mechanism for metal cord	1
KA1	6 m cable release kit for KIO	1
TS	Signboard	1

For 24 Vdc version

Code	Description	Pc/Pack
PS324	24 V battery with integrated battery charger	1



Accessories for Rondo

Code	Description	Pc/Pack
A01	Control unit	1
A02	Control unit with automatic closing	1
KIO	Key-operated selector switch for low voltage contacts, with release mechanism for metal cord	1
RNA01	Electronic brake for RN2020 and RN2010	1
TS	Signboard	1

Nice control electronics

With just a click!

Small, slim and coloured, ideal to carry in your pocket, bag or use as stylish key rings, or table-top or wall-mounted, for control the entire home at your fingertips!



NiceWay: many solutions, just one gesture.



Table shockproof holder.



Wall or table shockproof holder.



Squared wall plate.



Rectangular wall plate.

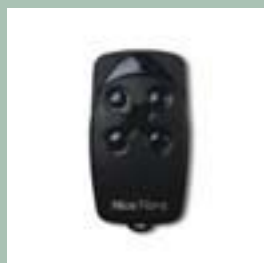


Module holder cover.

Transmitters



One
433.92 MHz and 868.46 MHz transmitters, with management of Identity Codes and Certificates. Compatible with Opera System. 1, 2, 4 and 9 channel versions.



FloR
Radio-control 433.92 MHz rolling code system with self-learning function. 1, 2 and 4 channels versions.



Very
Miniaturised radio control 433.92 MHz rolling code system with self-learning function or programmable code.



Smilo
Radio-controls 433.92 MHz rolling code system with self-learning function. 2 and 4 channel versions.

Tag system



Disappearing inside standard wall mounted plates and suitable to confined spaces, are ideal for restorations and upgrades of existing systems to control home automations, lighting points and all loads up to 500 W not directly accessible from cable controls.

All without the need to replace the existing system or involve building work!

Nice control electronics

Control units



Moonclever and Mindy

Range of Nice control units: all kinds of models for all kinds of automations, from the simplest to the most sophisticated, which offer exclusive, fully-developed functions by means of magnetic encoders.

New Moonclever **MC824H**, the innovative control unit with magnetic encoder for motors 24 Vdc, equipped with BlueBUS technology and designed for operation with the systems Solemyo and Opera.

Accessories



Moon

Range of digital and key switches, proximity sensor reader for transponder card and synchronised photocells with a 10° receiving angle, also available in a 30° version adjustable, with BlueBUS technology.



F210

Synchronised photocells adjustable at 210° horizontally, with relay output or BlueBUS technology.



FT210

Optical device adjustable at 210° horizontally and 30° vertically. With relay output or BlueBUS technology.



Moonlight and Wallyght

Modular flashing signal light and multi-function Led indicator.

System Opera



Nice Opera simplifies the installer's work, making for easier programming, and enabling access to all control panel parameters to adapt the system to all requirements. No specific procedures needed for each product: single programming mode with intuitive menus, with no need to consult instructions. Thanks to the GSM module, diagnostics can be performed remotely and the automation can be monitored constantly avoiding costly inspections on site with significant savings in time.

The BUS T4 technology enables the creation of a network of devices, connecting compatible control units between them, and centralising control via O-View. By interfacing the system with the PC, you can control a complex automation system such as those found in densely frequented buildings (hospitals, hotels, companies, etc.).

Management of the One series transmitters, even in large numbers, **is now fast and simple** with the option for remote control, and the creation of a database thanks to the software supplied.



One
Transmitters
and receivers



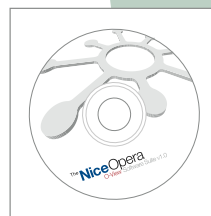
O-View
Multifunction
display



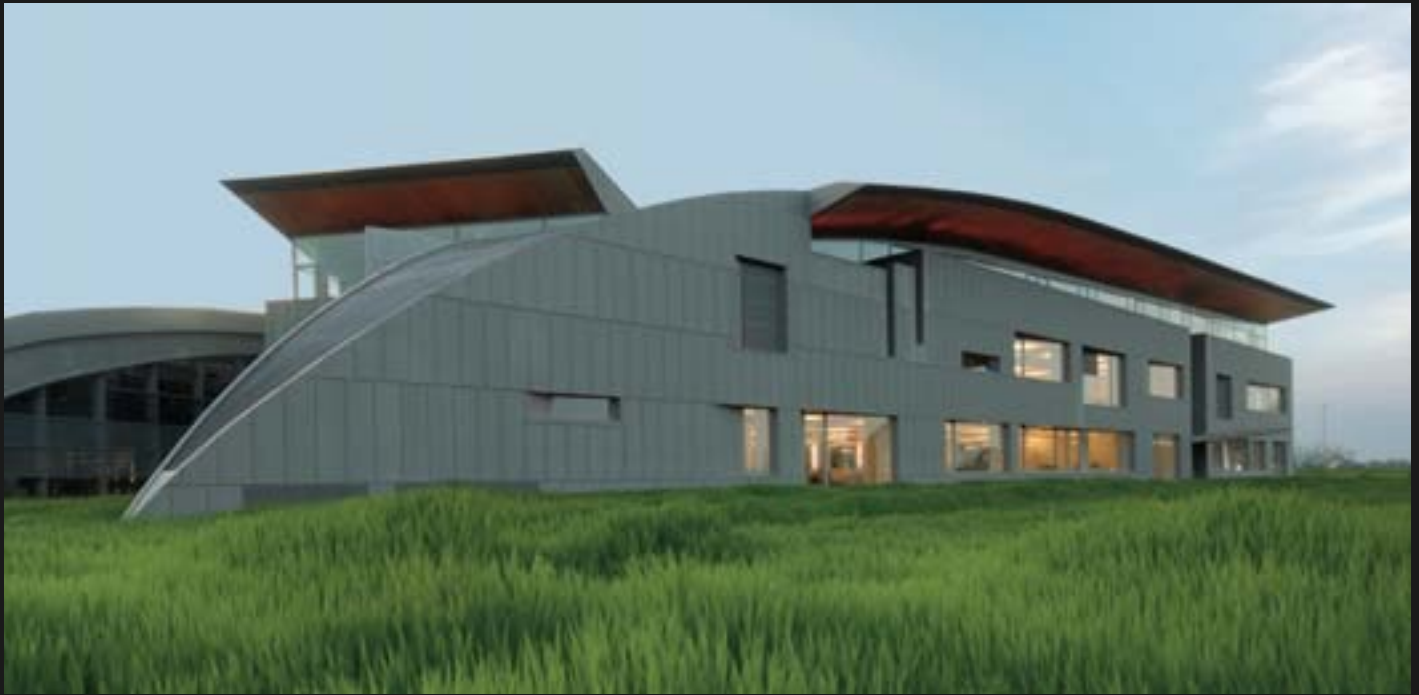
O-Box
Connection interface



OX4T
Universal
receiver



**O-View_O-Box
Software Suite**
Communication
software for PC
and PDA



Certified quality.

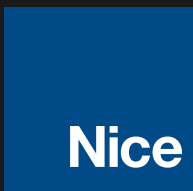
Safety, quality, reliability and durability are priorities for Nice. All Nice Products in fact comply with the provisions of the **European Directives** governing construction.

Service

Dealers who offer Nice products to their customers believe in the value of quality; providing service that satisfies all the needs and wishes of customers, before and after sales, is a duty. Contact a Nice specialist with complete trust!



Nice cares for the environment. Using natural paper it avoids excessive use of raw materials and forest exploitation. Waste is reduced, energy is saved and climate quality is improved.



Nice SpA
Oderzo TV Italia
Ph. +39.0422.85.38.38
Fax +39.0422.85.35.85
info@niceforyou.com

Find out more about Nice products and services on the website:
www.niceforyou.com