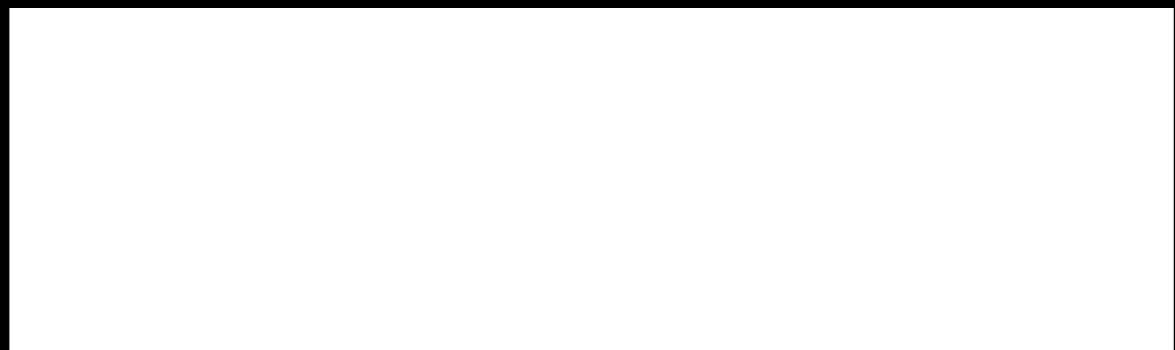




3/4 WING REVOLVING DOOR

MODEL KA023



MANUFACTURE
DESIGN
SALES
SERVICE



KA023

Energy saving eco friendly

KA023 series products perfectly combine style, design and mechanics, with high technology, high performance and high precision design, feature quality work, heat preservation, windproof, dustproof, sound insulation, stable performance, all concise and practical.

The diversified surface treatment processes and colors can satisfy your personalized requirements.

KA023 3/4 wing revolving doors are suitable for the main entrance and exit in hotels, office buildings and commercial buildings.

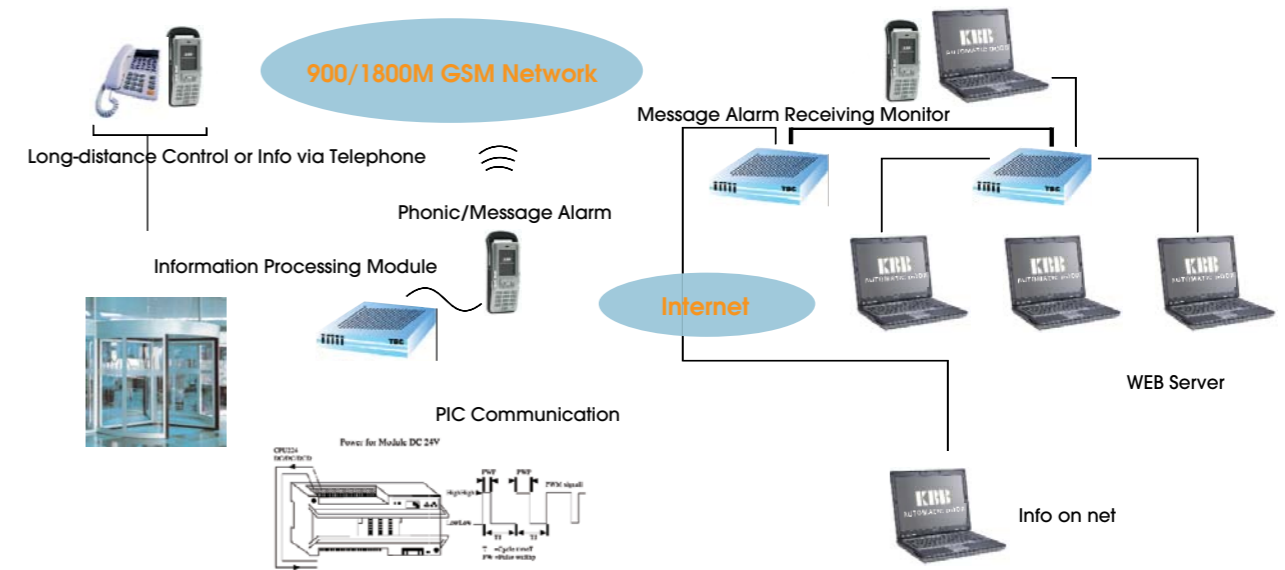
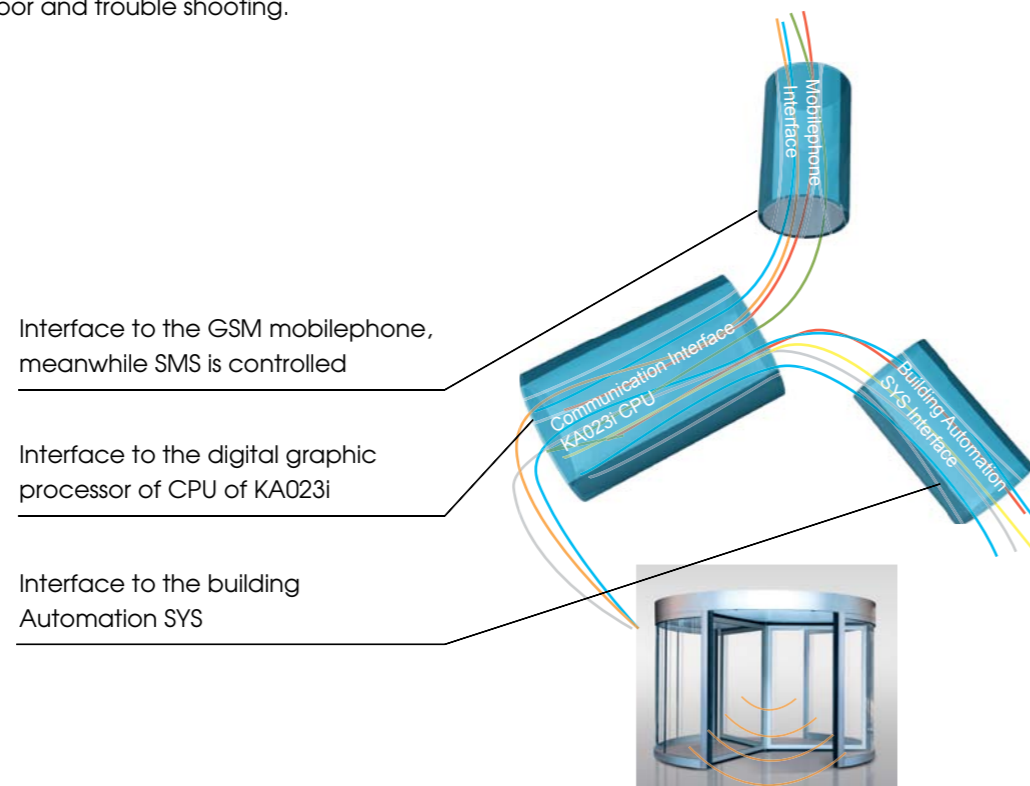


Design for

KA023 uses the running mode of revolving around the central axis, featuring high strength aluminum alloy frame assembly, removable structure, easy installation, convenient transportation, and convenient maintenance. The high quality bearing, multiple sealing and reasonable supporting structure can endure a harsh environment such as sand and dust.

According to the configuration the 3 wing and 4 wing revolving door can be manual or automatic. The manual KM023 is not equipped with an electric control or sensor. According to customers' requirements, the manual KM023 can be upgraded to a standard automatic door.

The new version KA023C, is the upgrade product from the KA023. It can be remote controlled by a typical wireless mobile phone, or via the internet to change functions, such as lock the door and trouble shooting.



Interface to the GSM mobilephone, meanwhile SMS is controlled Interface to the digital graphic processor of CPU of KA023i Interface to the building Automation SYS Communication Interface of KA023i CPU.



Safety

Pressure-sensitive function

If the resistance the revolving wing encounters exceeds a preset value (adjustable), the automatic door stops revolving.

Anti-squeeze sensor

The door stops immediately when the anti-squeeze sensor is triggered.

Fire alarm function

The preserved signal output can be connected to the fire system in the building. When the door receives a fire alarm signal, the revolving door switches to the emergency open mode automatically.

Wing sensor

Presence detection by the wing sensor starts braking immediately by the anti-collision sensor installed in the top of the revolving wing.

The 3/4 wings space design and controllable leaf rotation make the people flow in entrance/exit of buildings controllable, providing unique security advantages.

KA023 revolving door is equipped with a contact and noncontact safety sensor, installed with safety seals on an entrance column, and configured with torque control and anti-clamp function, ensuring the safety of the user.

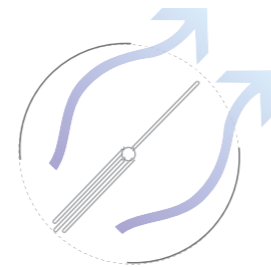
Function for the physical challenged

Press the green button before passing and the door revolves one circle in low speed, in order for allowing easy access for the physical challenged.

Emergency stop function

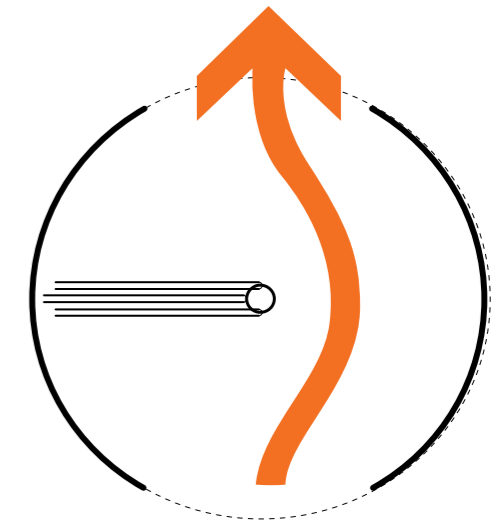
When an emergency occurs, the user can press the emergency stop button and the automatic revolving door will stop immediately.

The toughened, laminated glass satisfy the international standards. The door is clear, clean and elegant, featuring excellent sound insulation and heat preservation. The glass has excellent shock resistance, burglary proof, anti-explosion, bulletproof and high security, and won't be penetrated and the scraps won't disperse.



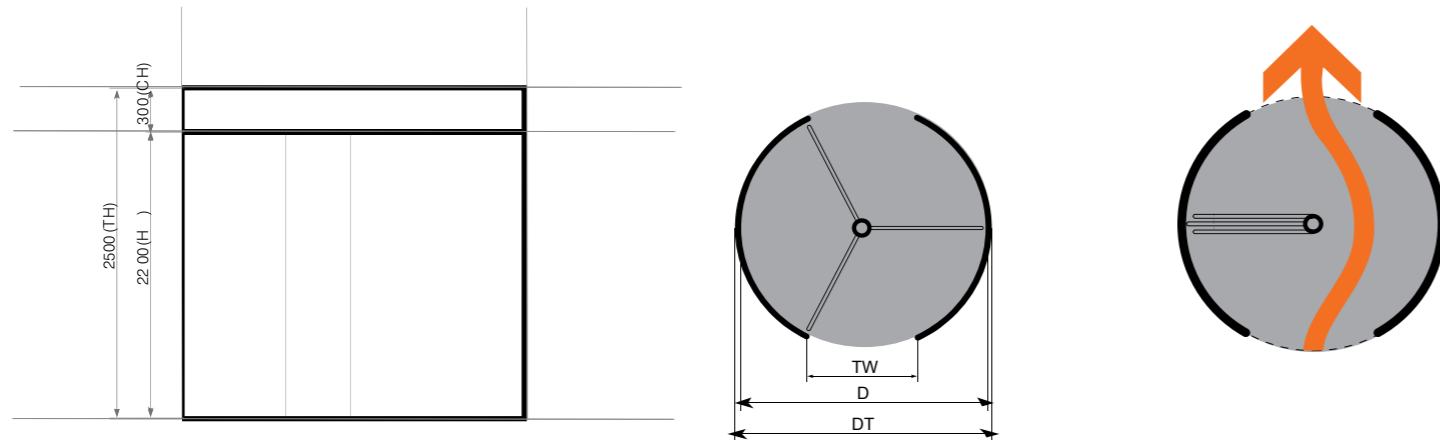
Standard	Optional
Alumimum alloy door leaf	Water proof cover
PLC control system	Fire alarm
Ceiling-Fire plate	Anti-collision
4+4mm laminated curved glass 3+3mm laminated plane glass Mechanical lock	Anti-squeeze Electro mechanical lock Night security door
Ceiling spot Light: 12V	Remote control
Safety bumper	Internet monitoring system
Emergency stop	Manual/automatic mode conversion
Handicap button	

Specification	
Power supply	220V/AC ±10% 50HZ
Lighting	12V/AC 120W/240W
Rated power	600W
Lighting power	250W
Control system power	300W
Low speed adjustment range	50W
Emergency stop	0.5-2.5rpm
High speed adjustment rang	1-4rpm



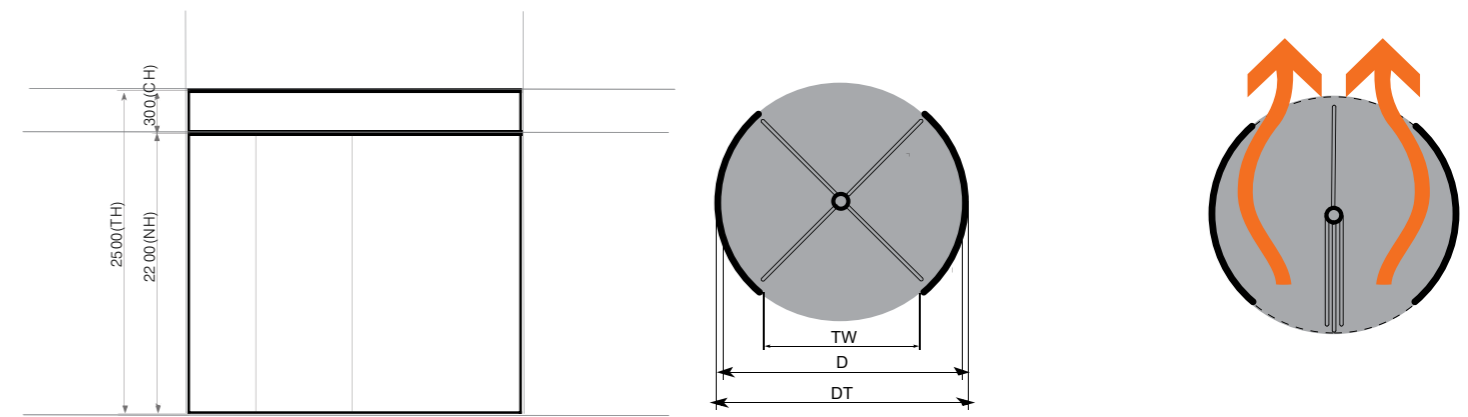
KA023 3 wings revolving door Dimension

Name	Diameter (D)	Outer diameter (DT)	Total height (TH)	Height (NH)	Opening Width (TW)	Persons/min
KA023-3-18	1800mm	1888mm	2500mm	2200mm	805mm	1 × 12
KA023-3-21	2100mm	2188mm	2500mm	2200mm	955mm	1 × 24
KA023-3-24	2400mm	2488mm	2500mm	2200mm	1105mm	1 × 24
KA023-3-27	2700mm	2788mm	2500mm	2200mm	1255mm	1 × 24
KA023-3-30	3000mm	3088mm	2500mm	2200mm	1405mm	1 × 30
KA023-3-32	3200mm	3288mm	2500mm	2200mm	1510mm	1 × 30
KA023-3-36	3600mm	3688mm	2500mm	2200mm	1705mm	1 × 36



KA023 4 wings revolving door Dimension

Name	Diameter (D)	Outer diameter (DT)	Total height (TH)	Height (NH)	Opening Width (TW)	Persons/min
KA023-4-18	1800mm	1888mm	2500mm	2200mm	1177mm	1 × 12
KA023-4-21	2100mm	2188mm	2500mm	2200mm	1390mm	1 × 24
KA023-4-24	2400mm	2488mm	2500mm	2200mm	1620mm	1 × 24
KA023-4-27	2700mm	2788mm	2500mm	2200mm	1824mm	1 × 24
KA023-4-30	3000mm	3088mm	2500mm	2200mm	2026mm	1 × 30
KA023-4-32	3200mm	3288mm	2500mm	2200mm	2172mm	1 × 30
KA023-4-36	3600mm	3688mm	2500mm	2200mm	2450mm	1 × 36





Maintenance

KBB is committed to providing ample and reliable accessories to the suppliers and distributors of its products. KBB provides prompt technical support in order to provide fast and effective after-sales service to customers all around the world.

Protestation

Automatic door and related products are part of professional automation products, and are likely to cause risk of harm, in case of installation, maintenance not conforming to the requirements of manufacturer, as well as relevant equipment function incurring disordered. For this reason, customers and distributors kindly notice:

1. Without permission you are not allowed to modify or change the product structure and foundation circuit.
2. Distributors and agents must hold a training certificate recognized and authorized by the manufacturer. The installation and maintenance should be performed by a qualified and authorized technician of the product.
3. Any use of components not made by the manufacturer, as well as damage caused by the failed installation and maintenance, is not the responsibility of the manufacturer.
4. Related content of this statement and product specification have the equal legitimacy and representation of to the manufacturer.



