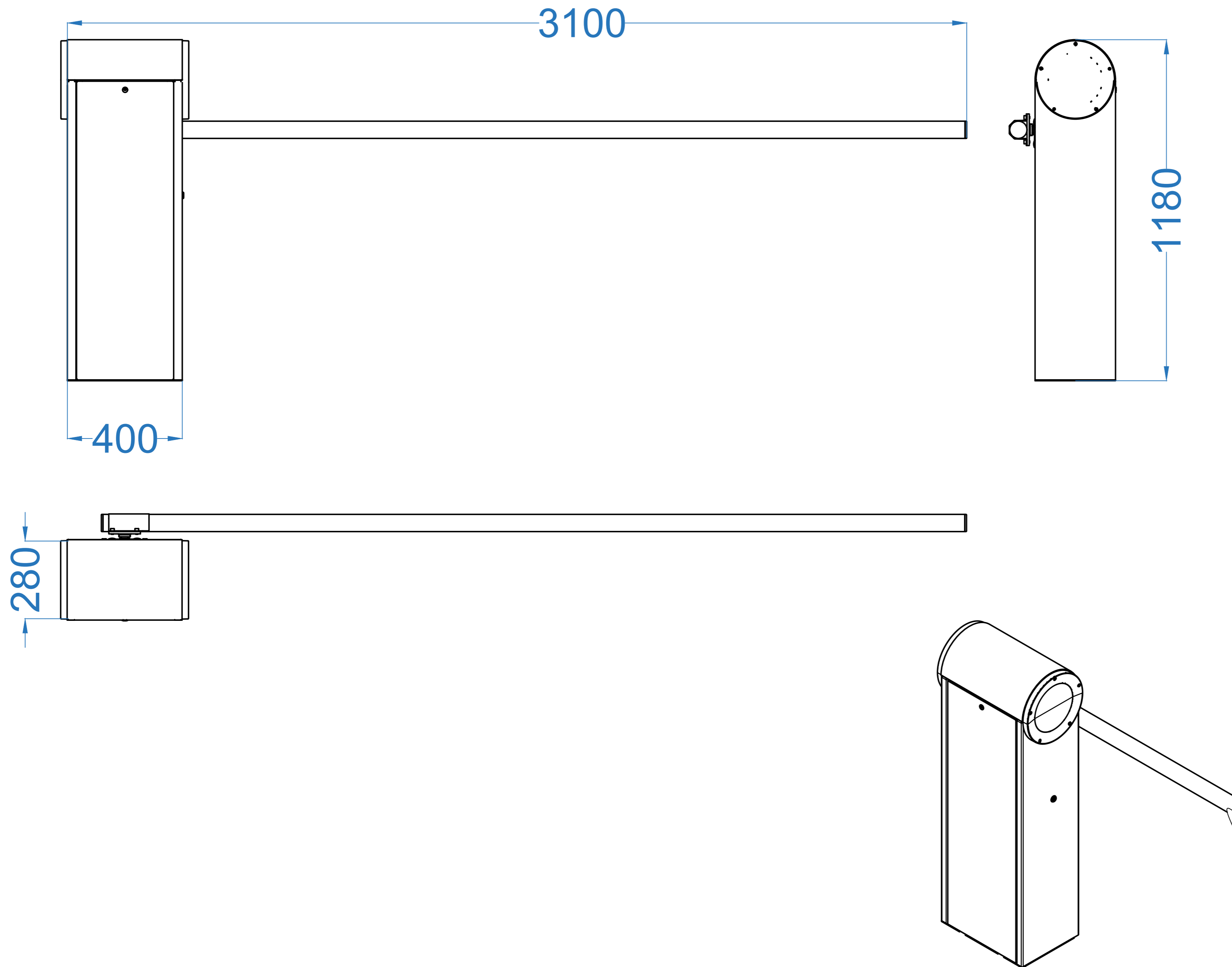
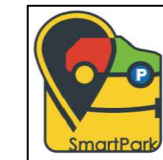


Dimenzije su u milimetrima.



Izometrijski prikaz

Sub-Sub Contractor



Smart Park

ALUMATIK PLUS

Phase of Project

Finalni dizajn

Discipline

Gabaritne mere

Project Title

Automatska rampa

Area / Bldg

Automatska rampa  
KEY AIt-324F

Revision Date	Revision Description

Drawing Number:

Author	Discipl.	Area/Bldg	Activity	Level	Sequence	Sheet	Rev
APL	EL	SD00	GA	UG	001	05	AB

Paper size	Date of Issue

Drawn by: <b>Veselin Vukićević</b>	Checked by: <b>Veselin Vukićević</b>	
---------------------------------------	---	--